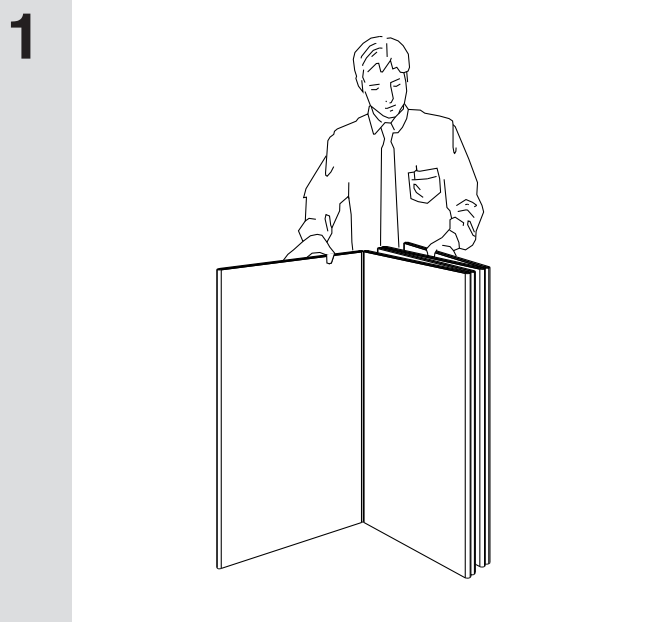
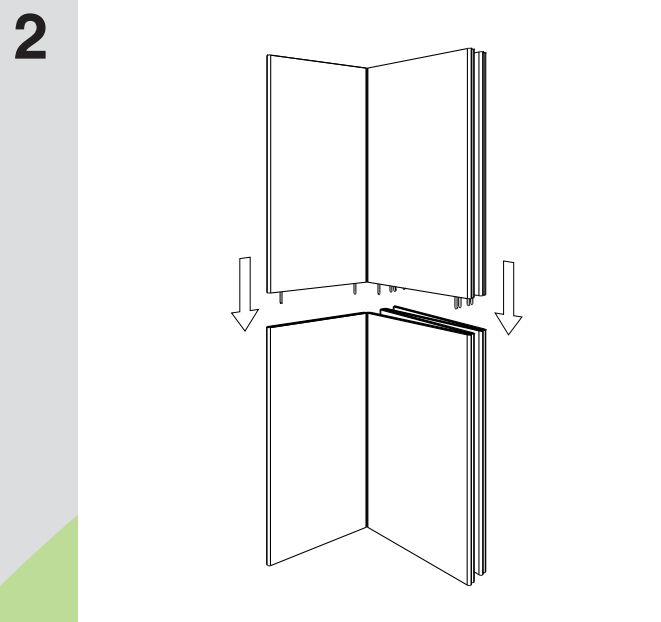


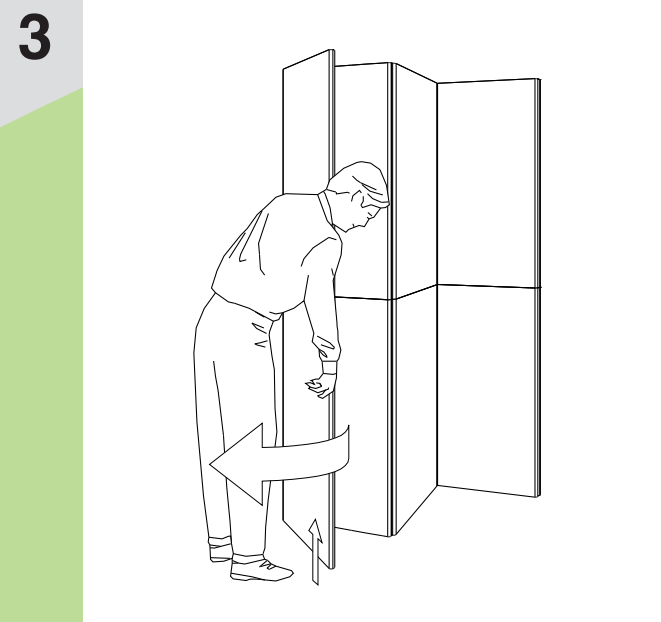
### QUICK START INSTRUCTIONS



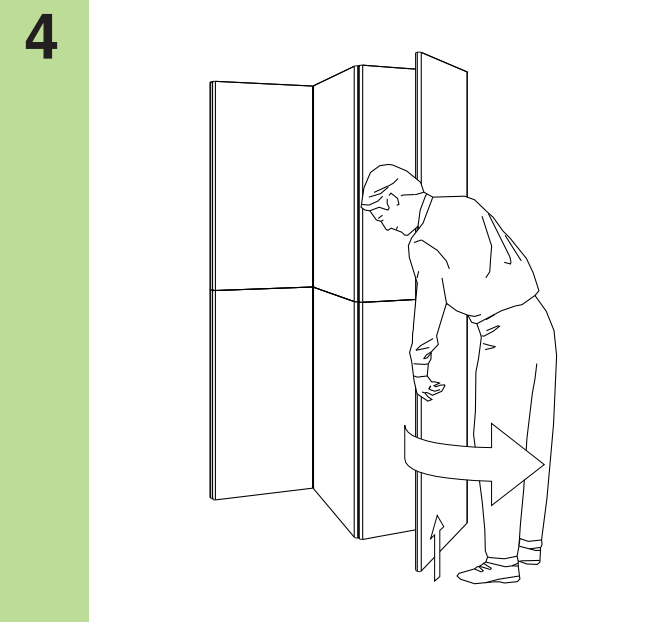
1 Position bottom panels (holes up). Adjust panels so edges are even. Partially open one panel for stability.



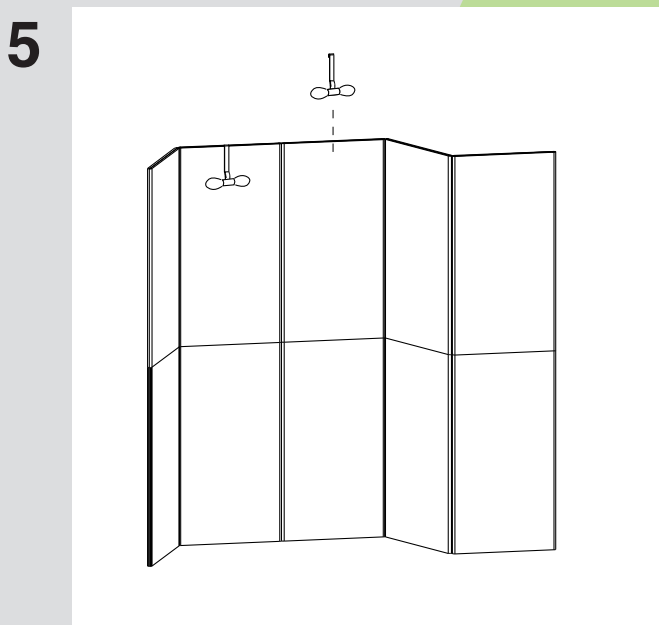
2 Lift upper panels onto bottom panels. Insert pegs in holes in bottom panels.



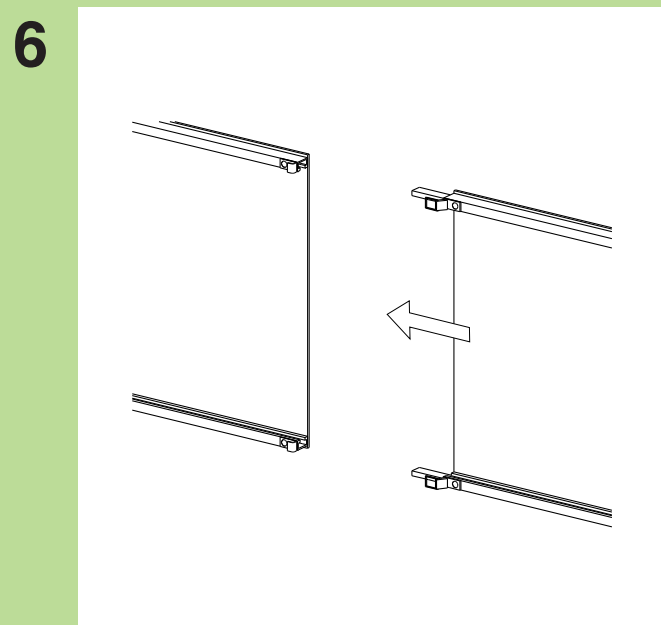
3 Open backwall to desired configuration. Push on bottom of system only. Maintain right angle on one panel to ensure stability.



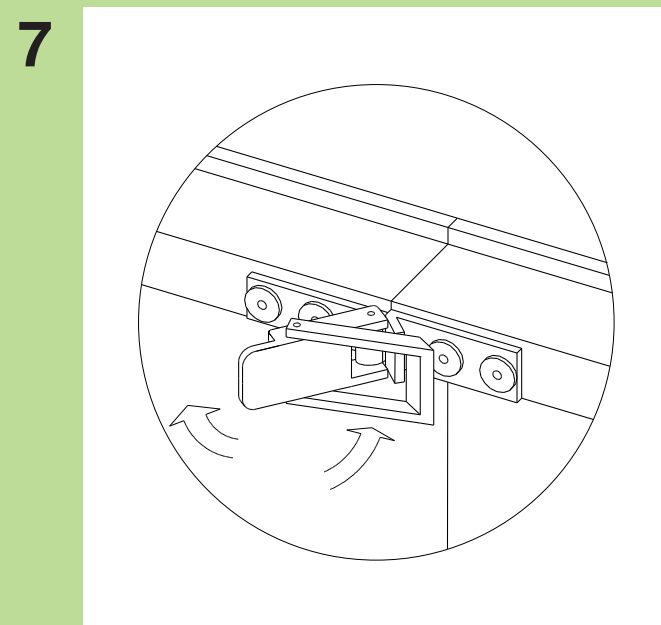
4 Repeat steps for opposite side. Remember to maintain a right angle on the outer panels while opening system.



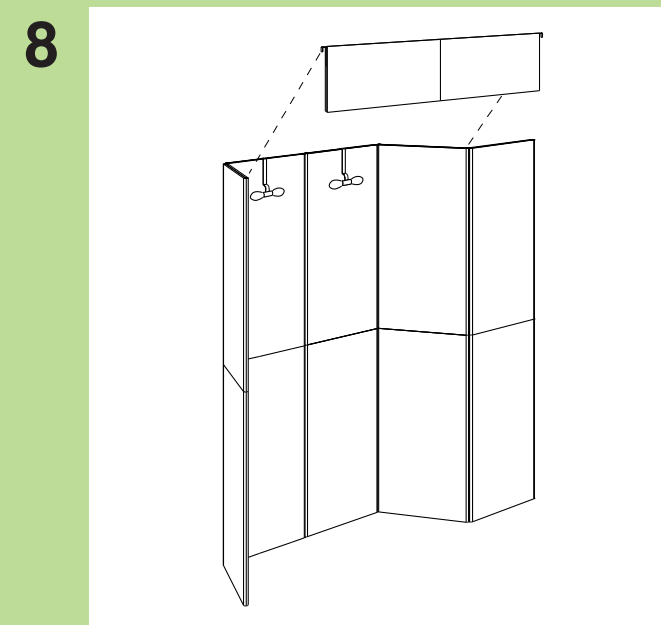
5 Hook light fixtures over top of backwall.



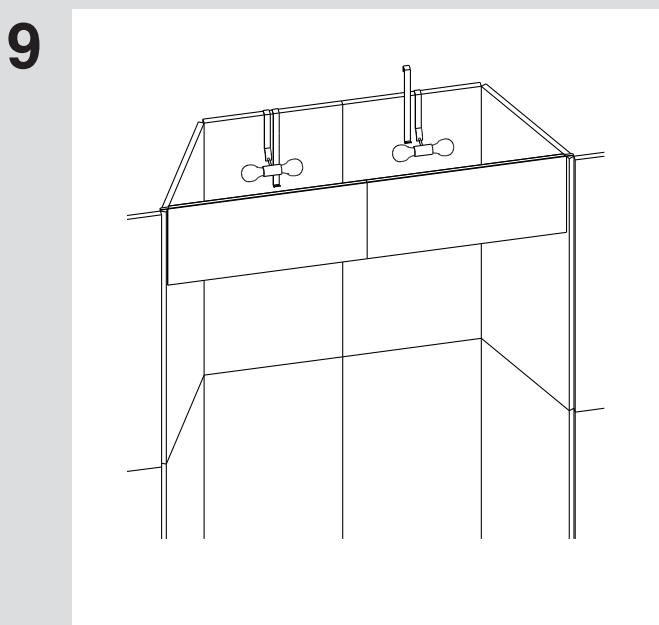
6 Slide header sections together.



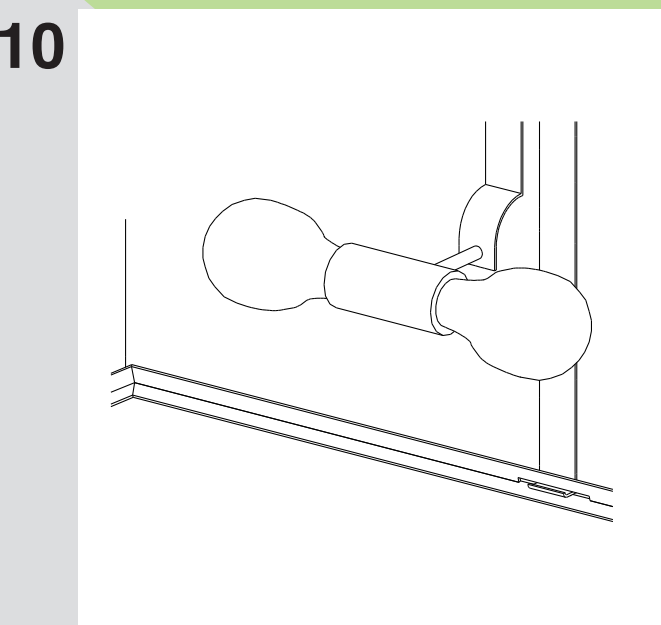
7 Fasten latches to secure.



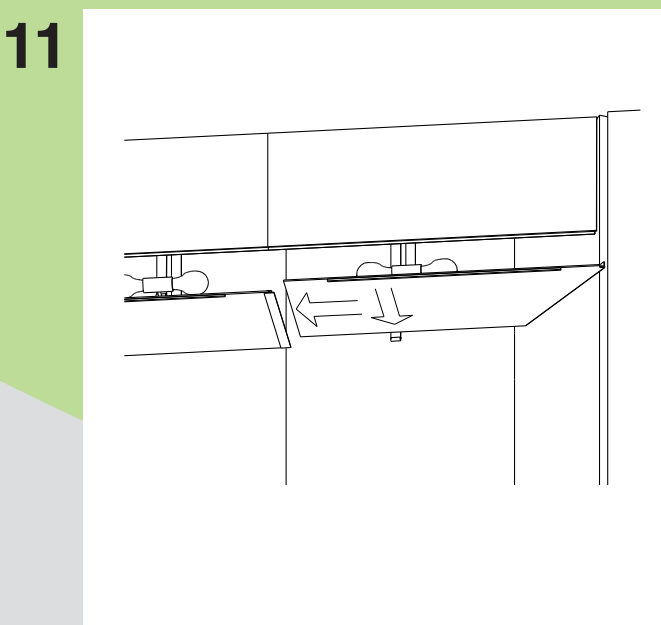
8 Hang header from backwall.



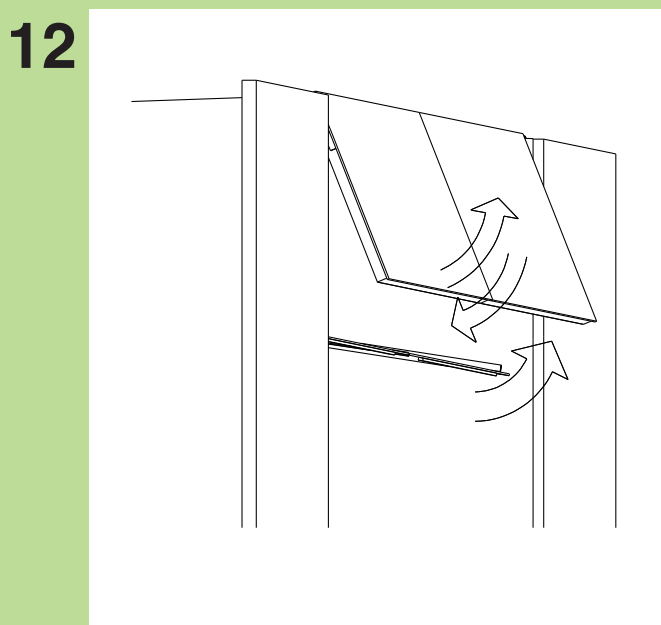
9 Attach H2 or H3 header to unit. Hang a pair of diffuser brackets from the top of the backwall adjacent to the light fixtures.



10 Hang the left half of the diffuser from the left diffuser bracket. There is a slot in the diffuser's extrusion to accept the bracket.



11 Hang the right half of the diffuser from the right bracket, and insert edge into the "H" moulding which is glued to the left half.



12 Swing header forward slightly, and raise diffuser. Lower diffuser so plastic strip on bottom of front edge fits inside the channel on the bottom of the header.